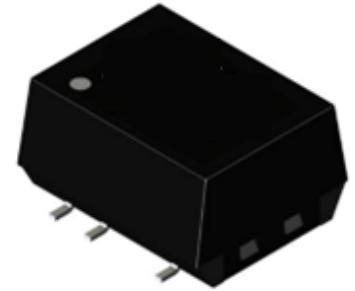


Features

- 1:1 input range voltage
- 2W SMD package
- Efficiency up to 85%
- Approved for medical applications
- 1Kvdc and 3Kvdc isolation option
- Operating temperature from -40°C to 85°C

Application

- Industry control application
- Energy battery application
- Telecom/ Datacom application



Selection Guide

Part number	Input voltage	Output voltage	Output current @ full load	Ripple & Noise	Efficiency (typ.)
M2S-3.33.3J	3.3 VDC	3.3 VDC	606mA	150mVp-p	76.5%
M2S-053.3J	5 VDC	3.3 VDC	606mA	150mVp-p	77%
M2S-0505J		5VDC	400mA	150mVp-p	79.5
M2S-0512J		12VDC	167mA	150mVp-p	84.5
M2S-0515J		15 VDC	133mA	150mVp-p	85%
M2S-1209J	12 VDC	9 VDC	223mA	150mVp-p	86%
M2S-1515J	15 VDC	15 VDC	133mA	150mVp-p	85%
M2D-1515J		±15 VDC	±67mA	±150mVp-p	86%
M2D-2409J		±9 VDC	±112mA	±150mVp-p	87%
M2D-2412J	24 VDC	±12 VDC	±84mA	±150mVp-p	84.5%

1. Add suffix "H3" for isolation 3Kvdc/1sec.
2. Add suffix "P" for continuous short circuit protection.
3. Add suffix "R" for tape and reel packing.

Part Number



CTC is the professional and one among world's leading manufacturers of DC-DC/ AC-DC converters.

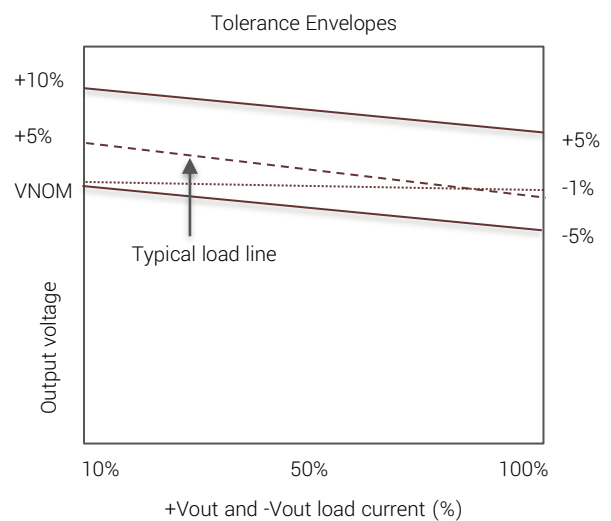
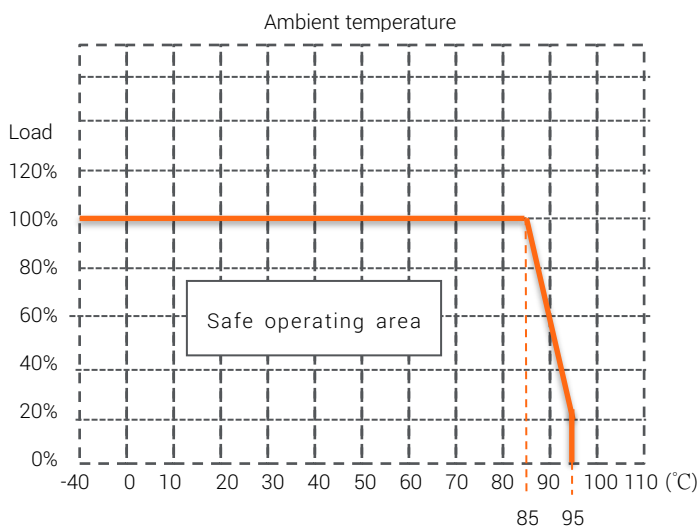
The products were used in Computers, Industrial controls, Medical equipment, Transportation, EV, ECO-power, Aero-space application and communication.

Specifications

	Parameter	Conditions	Min.	Typ.	Max.	Unit
Input	Input voltage range				±10	%
	Output voltage accuracy				±5.0	%
Output	Line voltage regulation	Low line to high line @Max. load		1.2% typ.@1% of Vin		
	Load voltage regulation	10%~100% load (3.3/5Vout)			15	%
		10%~100% load (9~24Vout)			10	%
	Ripple & Noise	@ 20MHz BW			150	mVp-p
	Operating frequency	Vin=Nominal input	20	40	80	KHz
Environment	Operating temperature		-40		85	°C
	Storage temperature		-50		125	°C
	Relative Humidity				95	%RH
	MTBF	+25°C			886k	Hours
	(Using MIL-HDBK 217F)	+85°C			128k	Hours
Function	Isolation voltage	60sec. "H3", 1sec.	1000 3000			VDC
	Isolation resistance	Viso=500V	10			GΩ
	Isolation capacitance				115	pF
	Short Circuit Protection	Option			Continuous	
	Physical	Weight	Single		1.4	
Dual				1.6		g
EMC	EMI	EN55022			Class A/B	
	ESD	EN61000-4-2			Criteria A	
	Surge	EN61000-4-5, ±0.5kV			Criteria A	

1. All specifications valid at nominal input voltage, full load and 25°C unless otherwise stated.
2. The product information and specifications are subject to change without prior notice.
3. All characteristics are for listed models, and non-standard models may perform differently. Please contact our technical support for more detail.
4. "EMC filtering suggestion" is as following.

Derating Curve

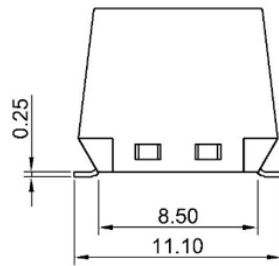
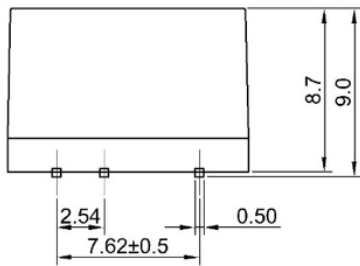
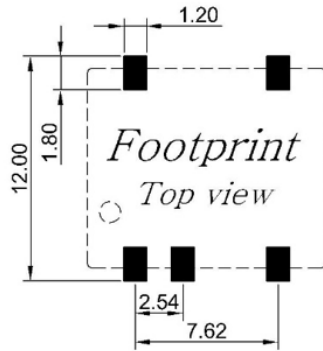
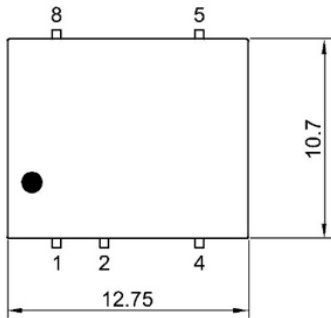


CTC is the professional and one among world's leading manufacturers of DC-DC/ AC-DC converters.

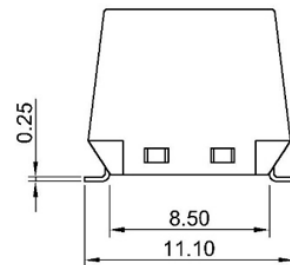
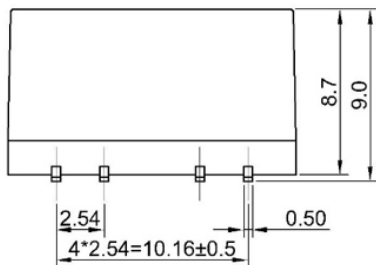
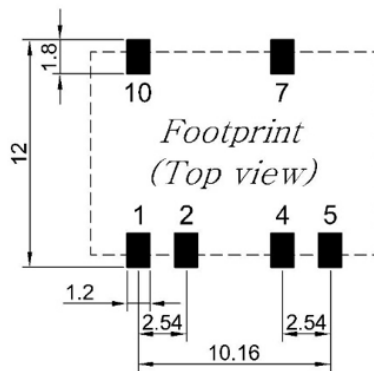
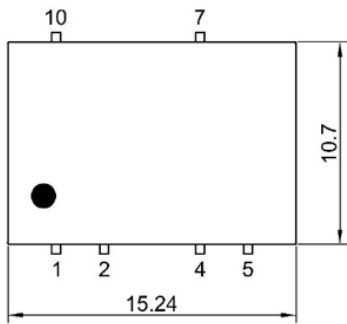
The products were used in Computers, Industrial controls, Medical equipment, Transportation, EV, ECO-power, Aero-space application and communication.

Mechanical Dimension & Pinning

2S



M2D



Pin	Single	Dual
1	-Vin	-Vin
2	+Vin	+Vin
4	-Vout	Com.
5	+Vout	-Vout
7	No Pin	+Vout
8	NC	No Pin
10	No Pin	NC

NC= No Connection

Unit: mm

TOL: XX.X ±0.5mm

XX.XX ±0.25mm